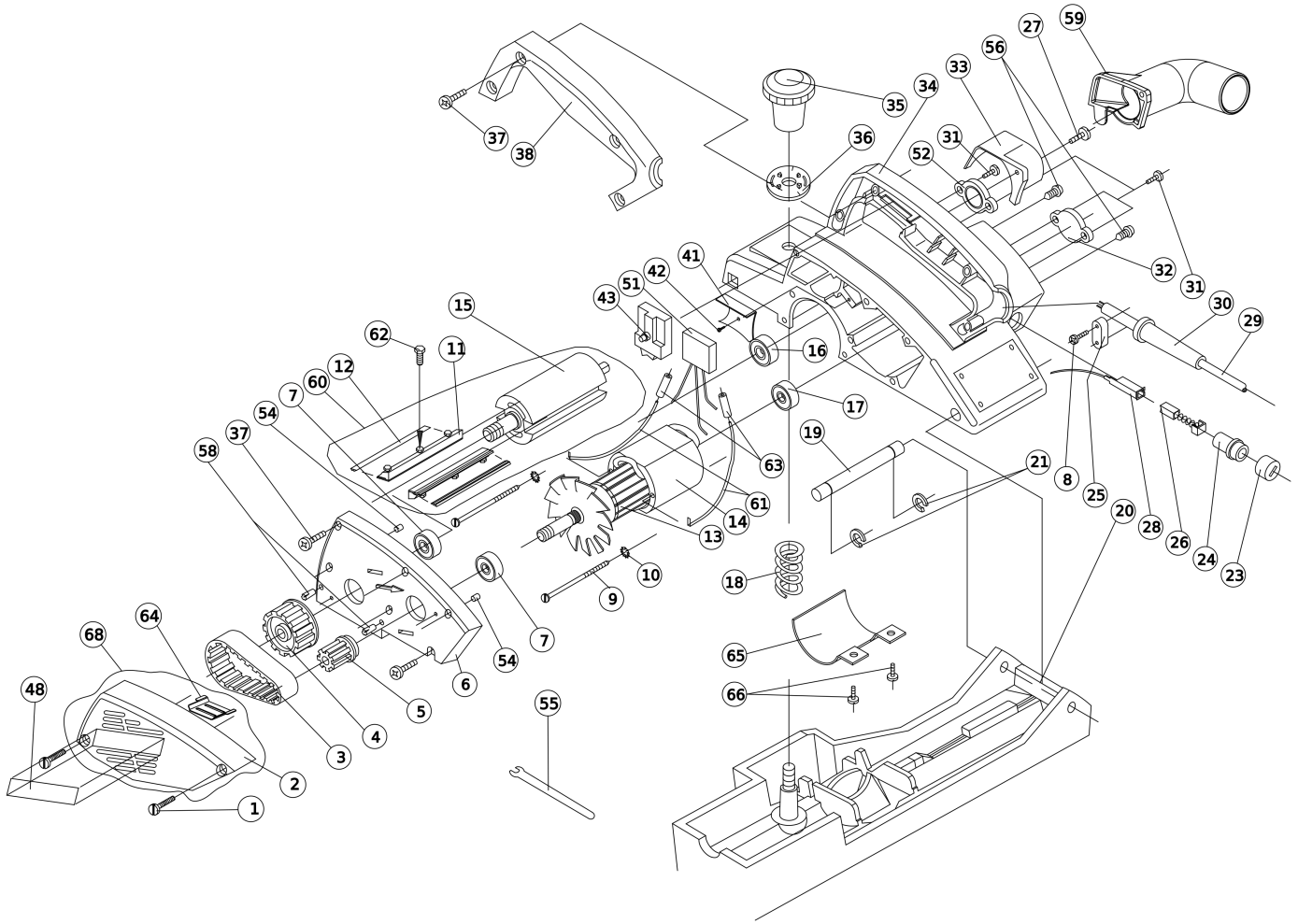




Technical information
Explosion drawing and parts list

CE89E (8900100) CHAMFERING PLANER CE89E | Version J (From serial number 6004)





Technical information
Explosion drawing and parts list

CE89E (8900100) CHAMFERING PLANER CE89E | Version J (From serial number 6004)

Pos.	Serial No.	Code	Description	Quantity
1		3570032	PAN HD. TAPPING SCREW 6X1 PH.BZ.	2
2		3502072	BELT COVER	1
3		3587079	BELT	1
4		3587076	PULLEY	1
5		3587077	PULLEY	1
6		8901084	MOTOR COVER	1
7		3510010	BALL BEARING 6000-ZZ	2
8		1970001	PAN HD. TAPPING SCREW 8X1/2 PH.B.	2
9		1270047	PAN HD. TAPPING SCREW 6X57 PH.B.	2
10		3581004	TOOTHED WASHER D.3.2	2
11		3599101	SET 2 REVERS. BLADE-HOLDERS	1
12		3540118	SET 2 CARBIDE REVERS. BLADES	1
13		3551097	ARMATURE 230V	1
14		3555087	STATOR 230V	1
15		3546174	CUTTER BLOCK	1
16		1910002	BALL BEARING 608-ZZ	1
17		3510009	BALL BEARING 627-Z	1
18		8926044	SPRING	1
19		8927067	SHAFT	1
20		8907056	CHAMFRAIN BASE	1
21		7088010	RETAINING RING D.5	2
23		1018003	BRUSH CAP	2
24		3518021	BRUSH HOLDER	2
25		4302025	CORD CLAMP	1
26		3517016	CARBON BRUSHES SET	1
27		1170003	PAN HD. TAPPING SCREW 6X5/8 PH.B.	1
28		3518022	BRUSH HOLDER	2
29		4645542	CORD 2X1X5m (EUROPE)	1
30		8002043	CORD ARMOR	1
31		1370002	PAN HD. TAPPING SCREW 6X3/8 PH.BZ.	4
32		3524067	BEARING COVER	1
33		3502069	DUST GUIDE	1
34		8902197	HOUSING	1
34	7047	8902823	HOUSING (V2)	1
35		6525027	REGULATING KNOB	1
36		3502194	WASHER	1
37		3570025	PAN HD. TAPPING SCREW 8X7/8 PH.BZ.	10
38		3503063	HANDLE COVER	1
41		3524009	FAN GUIDE - A	1



Technical information
Explosion drawing and parts list

CE89E (8900100) CHAMFERING PLANER CE89E | Version J (From serial number 6004)

Pos.	Serial No.	Code	Description	Quantity
42		1989015	UNEX RIVET 1303	1
43		3515034	SWITCH	1
48		3519145	LABEL	1
51		9868221	CAPACITOR	1
52		3524067	BEARING COVER	1
54		3504030	RUBBER PIN	2
55		5323141	WRENCH 8 mm	1
56		2070004	PAN HD. TAPPING SCREW 6X1/4 PH.BZ	2
58		3588029	ROLL PIN D.5X16	2
58	6404	3588164	PIN D.5X18	2
59		3502729	NOZZLE	1
60		3546140	CUTTER BLOCK ASS'Y	1
61		3550111	CONNECTION STATOR/SWITCH	2
62		2422166	BLADE SUPPORT SCREW	1
63		3568220	FERRITE	2
64		3523414	BELT PROTECTION	1
65		8923381	BLADES PROTECTOR	1
66		2370005	PAN HD. TAPPING SCREW 10X3/8 PH.BZ.	2
68		3545497	COVER ASSY	1