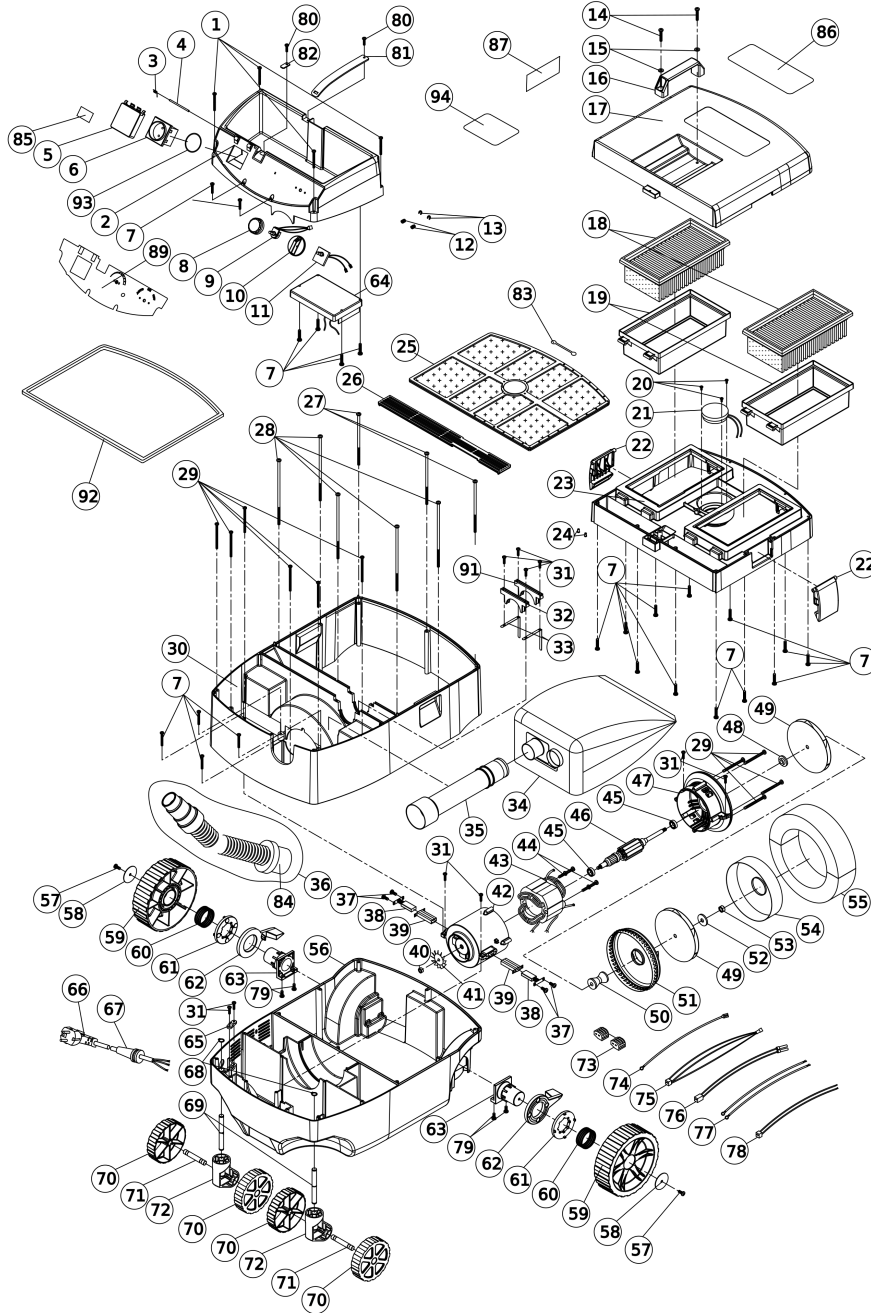




Technical information
Explosion drawing and parts list

ASC682 (8200600) ASC682 VACUUM CLEANER | Version A (From serial number 1)





Technical information
Explosion drawing and parts list

ASC682 (8200600) ASC682 VACUUM CLEANER | Version A (From serial number 1)

Pos.	Serial No.	Code	Description	Quantity
1		9279019	SCREW D.4X35 (TX)	4
2		8202653	HOUSING	1
3		8226196	SPRING	1
4		8221483	PIN	1
5		8202654	SOCKET COVER	1
6		8268351	SOCKET	1
7		4679013	SCREW D.4X25 TX	22
8		8268352	SELECTOR	1
9		8268353	RHEOSTAT	1
10		8268354	CONTROL	1
11		8268355	THREE-WAY SWITCH	1
12		8226197	SPRING	2
13		1488028	RETAINING RING D.3.2	2
14		8279005	SCREW D.5X20	2
15		9280063	WASHER D.5.1X13X1.5	2
16		8225139	HANDLE	1
17		8202655	TANK COVER	1
18		8299564	MAIN FILTER FOR DUST	2
18		8299574	WET FILTER	2
19		8202656	FELT SUPPORT	2
20		8070017	PAN HD. TAPPING SCREW 8X1/4 PH.BZ.	3
21		8268356	FILTER SHAKER	1
22		8225140	HOUSING HOOK	2
23		8202739	TANK COVER (V2)	1
24		8268357	DETECTOR	2
25		8299615	DIAPHRAGM FILTER (V2)	1
26		8202741	VENT COVER (V2)	1
27		8272048	SCREW D.5X125 PH	3
28		8272049	SCREW D.5X140 PH	5
29		1270047	PAN HD. TAPPING SCREW 6X57 PH.B.	10
30		8202740	MAIN HOUSING (V2)	1
31		2070007	PAN HD. TAPPING SCREW 6X7/8 PH.BZ.	10
32		8202743	HOSE BRACKET (V2)	1
33		8268358	LIQUID LEVEL DETECTOR	2
35		8202742	PIPE (V2)	1
36		8299567	PIPE W/CONNECTORS	1
37		7779022	SCREW D.4X12	4
38		8217048	SET OF 2 CARBON BRUSHES	1
39		8218033	BRUSH HOLDER	2



Technical information
Explosion drawing and parts list

ASC682 (8200600) ASC682 VACUUM CLEANER | Version A (From serial number 1)

Pos.	Serial No.	Code	Description	Quantity
40		8285049	LEFT NUT M.6	1
41		8264032	FAN	1
42		8202662	MOTOR HOUSING	1
43		8255195	STATOR 230V	1
44		8279015	SCREW D.5X60	2
45		4510013	BALL BEARING 6200-2RS	2
46		8251206	ARMATURE 230V	1
47		8202663	FRONTAL HOUSING	1
48		8221484	SPACER	1
49		8299568	TURBINE	2
50		8221485	SPACER	1
51		8299569	HOUSING	1
52		8280070	WASHER 8X25X2	1
53		1185003	HEX. NUT M.8	1
54		8299570	HOUSING	1
55		8299571	SILENCER	2
56		8202664	CHASSIS	1
57		8070027	PAN HD. TAPPING SCREW 12X1/2 PH.BZ.	2
58		8280071	FLAT WASHER D.6.5X40X2.5	2
59		8299572	REAR WHEEL	2
60		8226198	SPRING	2
61		8202665	WHEEL BRAKE	2
62		8202666	LEVER LOCK	2
63		8202667	REAR WHEEL AXLE	2
64		8268618	ELECTRONIC CIRCUIT ASC682	1
65		8202668	BRACKET	1
66		8245839	CORD ASS'Y	1
67		8202669	SLEEVE	1
68		1688103	RING SHAFT D.10	2
69		8222541	FRONT WHEEL AXLE SUPPORT	2
70		8299573	FRONTAL WHEEL	4
71		8222542	FRONTAL WHEEL AXLE	2
72		8202670	FRONTAL WHEEL SUPPORT	2
73		8268360	CONNECTOR	2
74		8245840	EARTH CABLE	1
75		8245841	VACUUM UNIT CABLE	1
76		8245842	SHAKE UNIT WIRE	1
77		8245843	SWITCH WIRE	2
78		8245844	LIQUID LEVEL WIRE	1



Technical information
Explosion drawing and parts list

ASC682 (8200600) ASC682 VACUUM CLEANER | Version A (From serial number 1)

Pos.	Serial No.	Code	Description	Quantity
79		8279009	SCREW D.5X15	4
80		7779021	SCREW D.4X16	2
81		8202674	BRACKET	1
82		8202675	BRACKET CATCH	1
83		8299579	HANDLE	1
84		8202671	CONNECTOR	1
85		8219499	LABEL	1
87		8219496	WARNING LABEL	1
89		8219563	LABEL	1