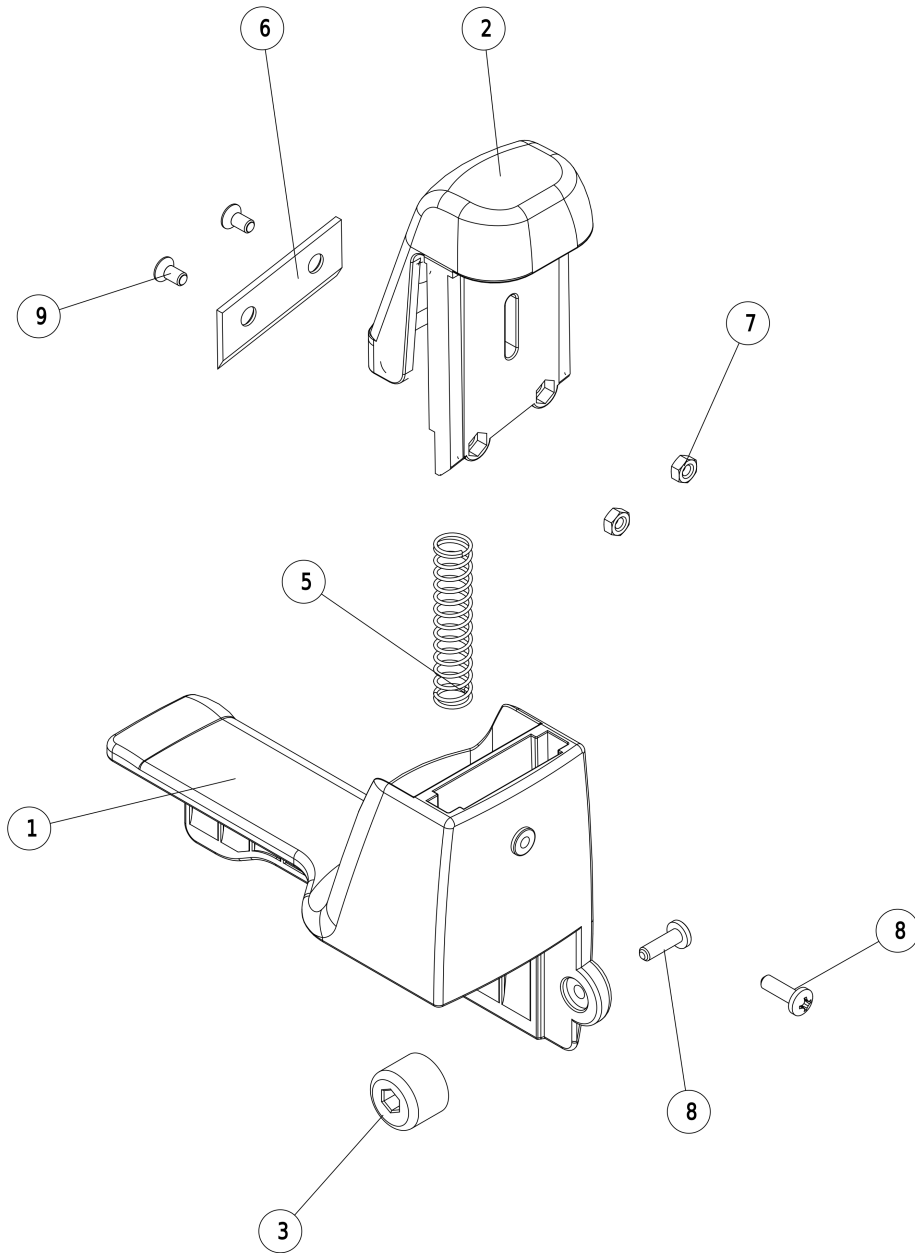




Technical information
Explosion drawing and parts list

RC221R (2100600) RC221R END CUTTER | Version A (From serial number 1)





Technical information
Explosion drawing and parts list

RC221R (2100600) RC221R END CUTTER | Version A (From serial number 1)

Pos.	Serial No.	Code	Description	Quantity
1		2102530		1
2		2102531	KNOB	1
3		2102532	STOPPER	1
4		2119416	LABEL	1
5		2126170	SPRING	1
6		2131101	BLADE RC221R	1
7		2385005	HEX. NUT M.4	2
8		3070010	PAN HD. TAPPING SCREW 8X14 PH. BZ.	2
9		9073005	FLAT HD. SCREW M.4X8 PH.	2